



OVITUBE 120 & 210

STAINLESS STEEL SHEEP/GOAT TROUGHS WITH CONSTANT LEVEL

The OVITUBE 120 and OVITUBE 210 are large stainless steel drinking troughs designed for ewes and goats. Their exclusive tubular design guarantees sturdiness, hygiene and animal comfort.



 5,1 l/mn. at 3 bars

Ref. 2417



Ref. 2418

	Available maximum water volume	Recommended height	Number of animals per waterer
OVITUBE 120	12 litres	50 - 65 cm	25-30 dairy ewes/goats or 35-40 nursing sheep
OVITUBE 210	22 litres	50 - 65 cm	40-50 dairy ewes/goats or 60-70 nursing sheep

Innovative tubular design offering numerous advantages

- ▶ Their cylindrical design makes the OVITUBE waterers extremely sturdy.
- ▶ The inward-curved edges limit water spillage.
- ▶ Very comfortable and natural water access.
- ▶ With a maximum water reserve of 12 and 22 litres and a float valve with a flow rate of 5,1 l/min (at 3 bars), each OVITUBE 120 and 210 is suitable for 4 and 7 animals simultaneously.
- ▶ The valve is well protected against the animals by means of a stainless steel cover.

Quick-and-easy to clean

- ▶ The OVITUBE waterers are made of AISI 304 stainless steel.
- ▶ Large rectangular drain at the end of the trough to quickly evacuate dirt.

Simple to install and protect from frost

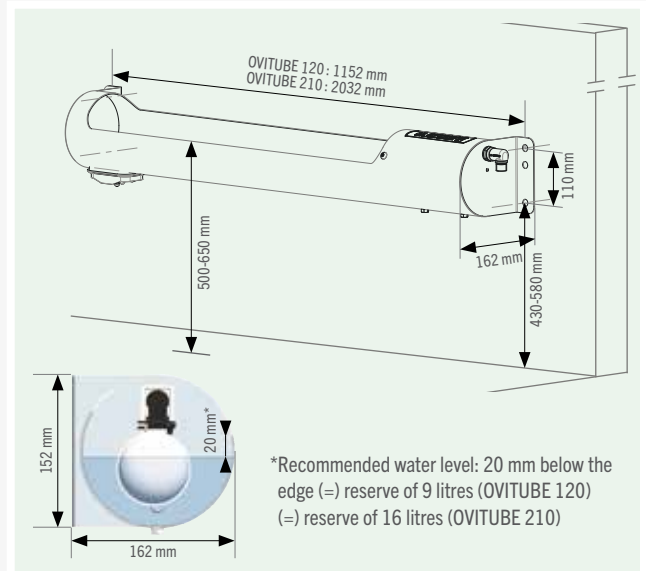
- ▶ Mounting on wall, fence or height-adjustable mounting bracket.
- ▶ Brass elbow fitting, 1/2" (15x21) M from the right.
- ▶ Optional 80W/24V frost protection possible.



In detail



- 1 **Compact stainless-steel trough with rounded shape, without protruding edges**
- 2 **Large water access: 82 x 13,5 cm 32.3" x 5.1" (OVITUBE 120)
170 x 13,5 cm 66.9" x 5.1" (OVITUBE 210).**
- 3 **Non-spill inside edge.**
- 4 **Float valve protected by stainless-steel cover.** Easily adjustable water level.
- 5 Water inlet 1/2" (15x21 mm) male from the right.
- 6 **Large "Vide-Vite" drain, 95 x 50 mm, left side.** Easy, fast and complete cleaning.
- 7 Installation of optional **electrical anti-freeze element of 80W/24V**, ref. A413 (see accessories). Obligatory transformer, sold separately
- 8 **Fastening by means of minimum 4 fixation points.** 6 anchor points. **Mounting on wall, fence or height-adjustable mounting bracket, ref. A308** (see accessories).



REF.	DESIGNATION
2417	OVITUBE 120 Stainless steel drinker 9 L EAN 13 : 3599150051163
2418	OVITUBE 210 Stainless steel drinker 16 L EAN 13 : 3599150051170

OUR ADVICE

During the installation of an OVITUBE, **take into account a slight slope by fixing the waterer at the side of the drain 1 cm** lower than at the valve side.

This allows for the waterer to be emptied even more quickly and cleaned more easily.

Accessories

A317

A308 x2

A413

C162

A504

REF.	DESIGNATION
A308	Mounting rail to adjust drinking bowl height Two A308 mounting brackets are needed for 1 OVITUBE
A317	Mounting brackets for fence (Tube Ø50-75 mm)
A413	Frost-free set 80W/24V
C162	Heating cable 24 V / 22 W - Length: 3 m
A504	Transformator 230V/24V 100VA

